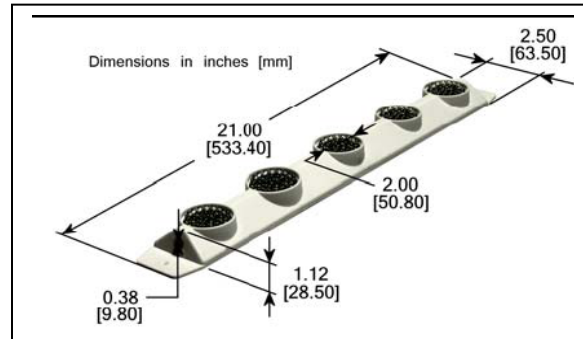
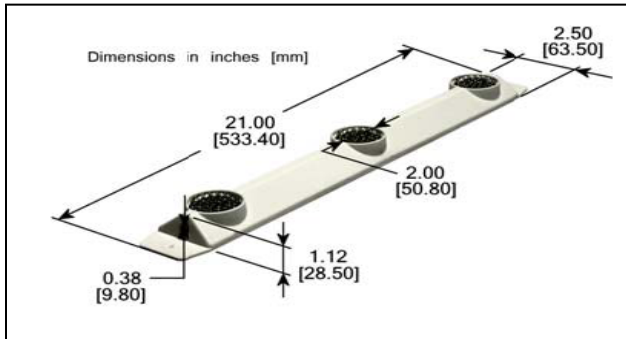


LED Grow Master Specifications Standard, Pro, and Pro-5 Models



Plant Grow Light Efficiency	greater than 90%
Targeted Plant Growth & Health Peak Spectrum	greater than 95%
Operating Temperature	less than 15 degrees Fahrenheit above ambient temperatures
Operating Life	8 years estimated, with 0% plant light production degradation
Power Consumption	6-9 Watts
Power Supply	International 120/240
Electrical Hazard	No
Fire Hazard	No
Glass Breakage Hazard	No
Peripheral Support Needed	No
Ultra-Violet Light Emissions	No
White-light pollution	No
Environmental Impact	Minimal
Time to Full Output After Power Interruption	Instant full power
Configurations Considerations for deployment	No
Fixture Mounting Considerations	User option, LED Grow Master products are easily mounted within foliage either vertically or horizontally.
LGM1/LGM3 3 Arrays of 38 HBLED's LGM5 5 Arrays of 38 HBLED's	Target the light frequencies that plants rely on for growth and health.
Bar Weight Standard and Pro	.75 lbs 22" x 2.5" x 1"
Sun Mount	1.5 lbs 28" x 6" x 1"
Power Adaptor	.75 lbs 3" x 3" x 7"